

IPL, RS 44, GR 41, GR 50, RS 44 (EPA), GR 41 (EPA), GR 50 (EPA), 2002-08, 106 24 73-64

RS 44

GR 41

GR 50

RS 44 (EPA)

GR 41 (EPA)

GR 50 (EPA)

Spare parts

Ersatzteile

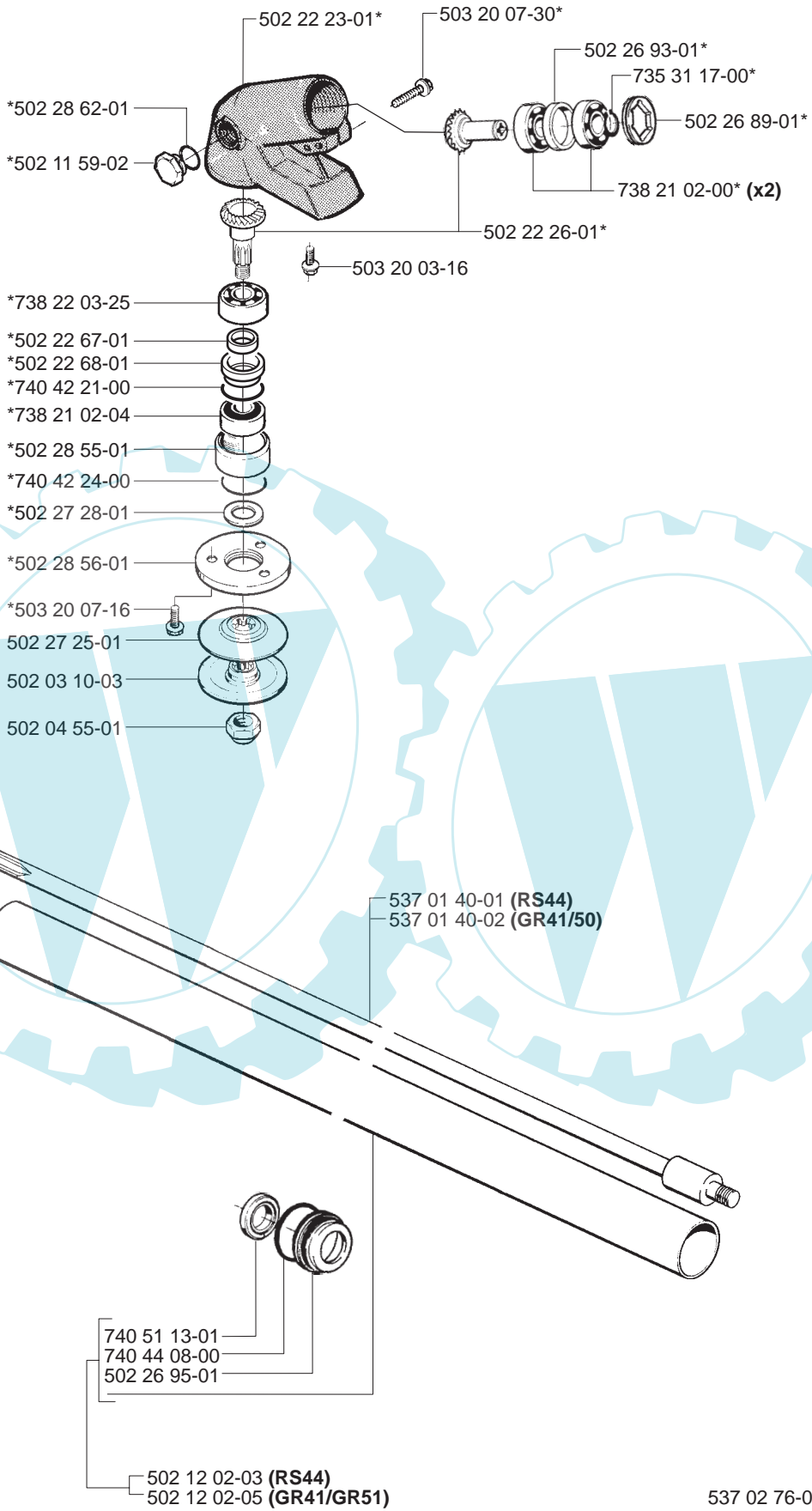
Pièces détachées

Reserve onderdelen

Repuestos

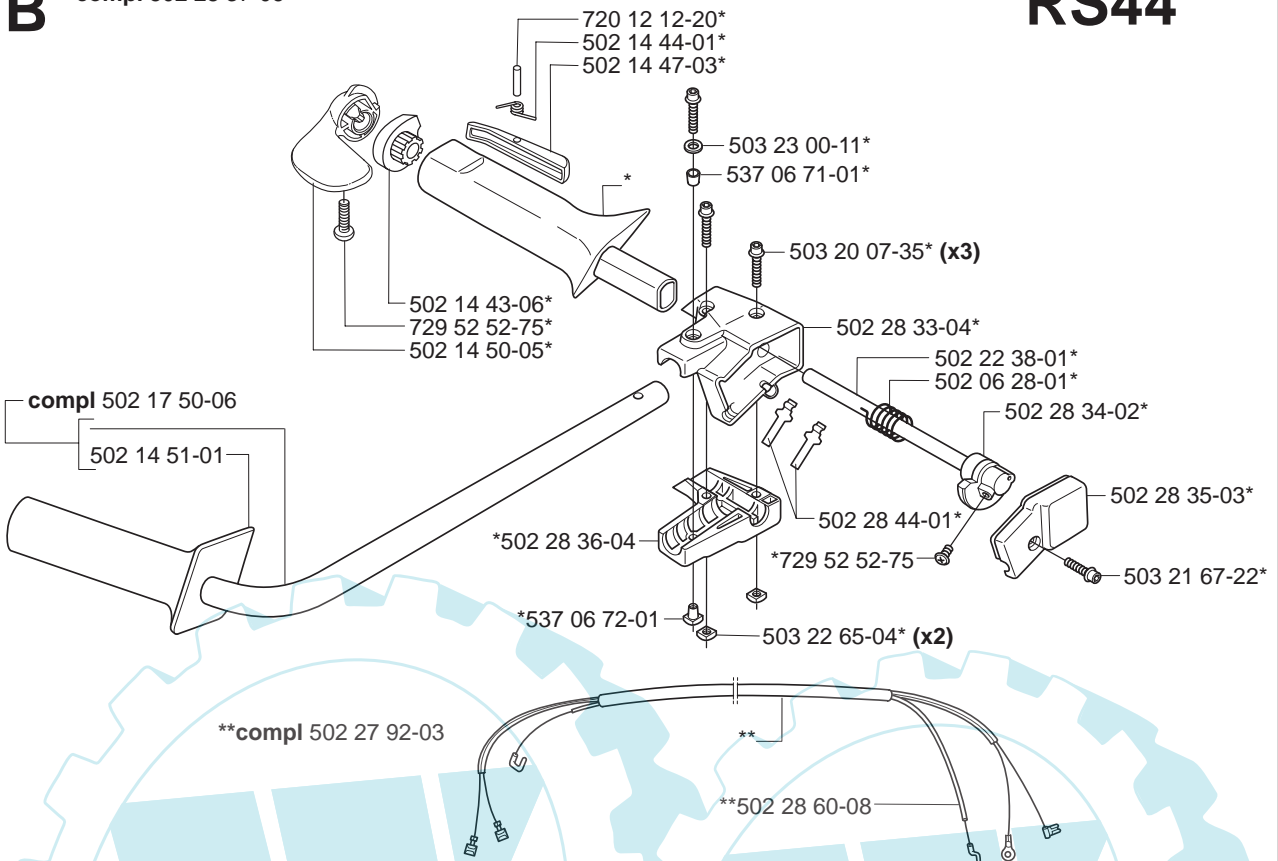
Reservdelar

A *compl 502 28 57-02



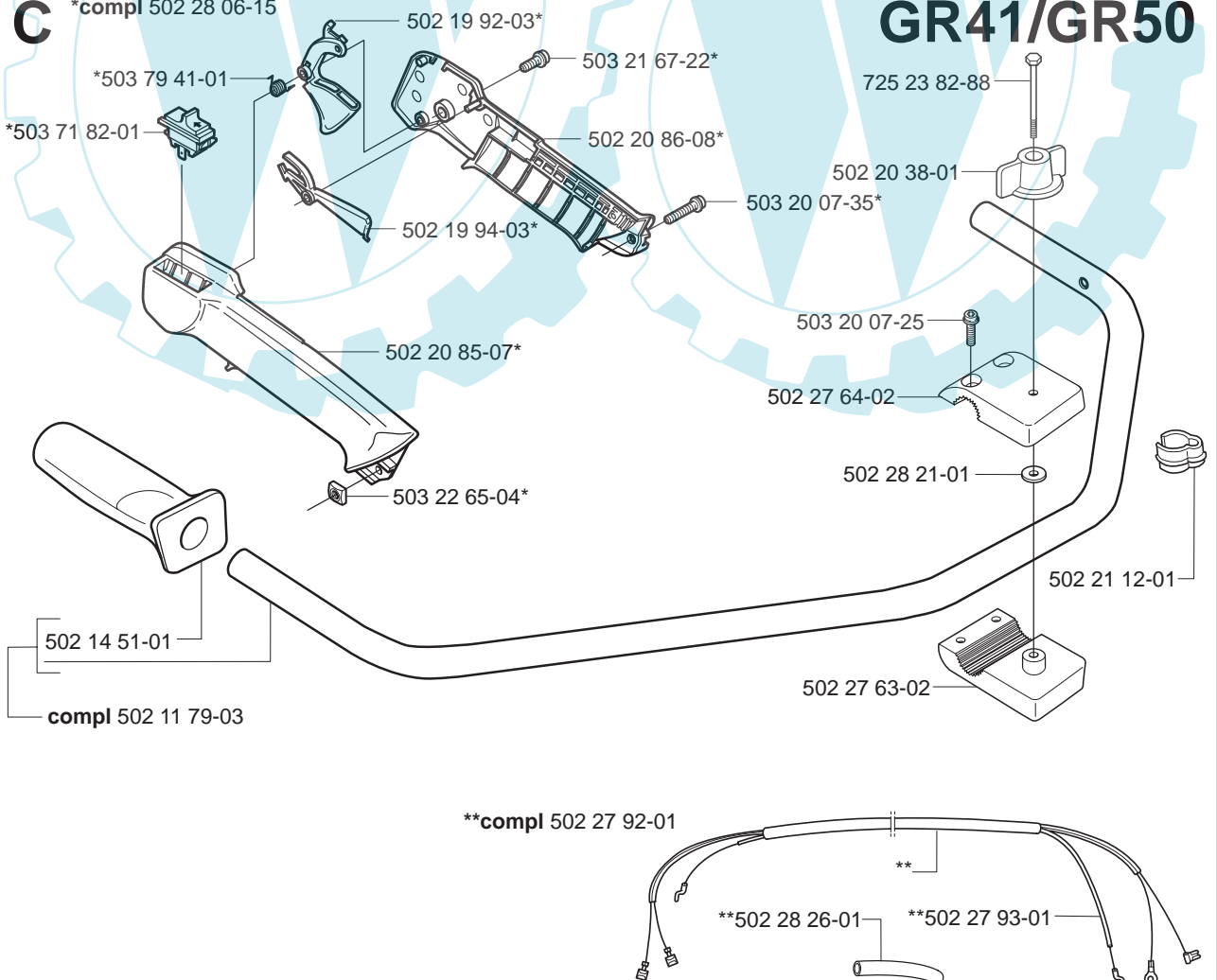
B *compl 502 28 37-06

RS44

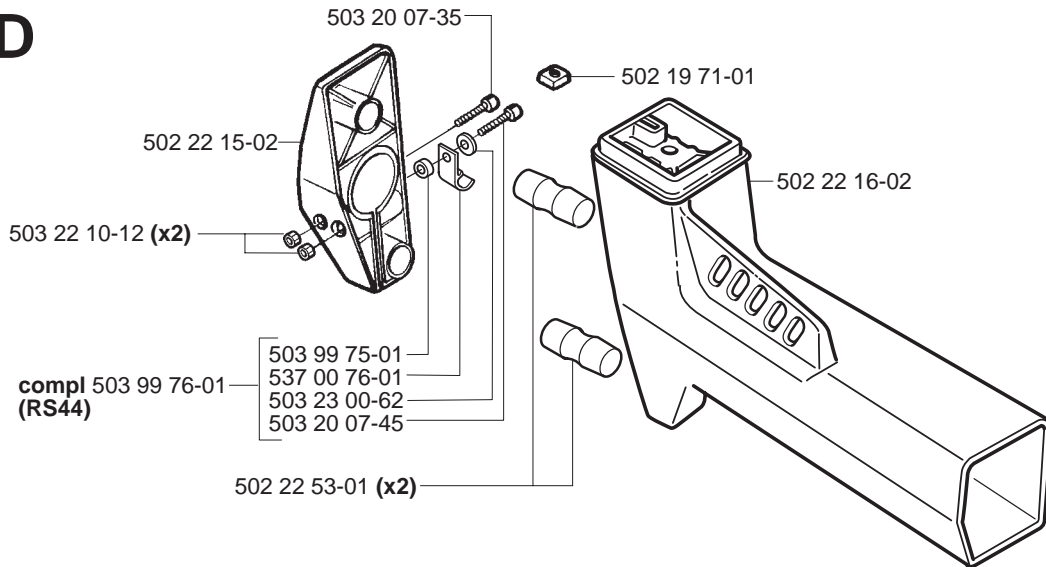


C *compl 502 28 06-15

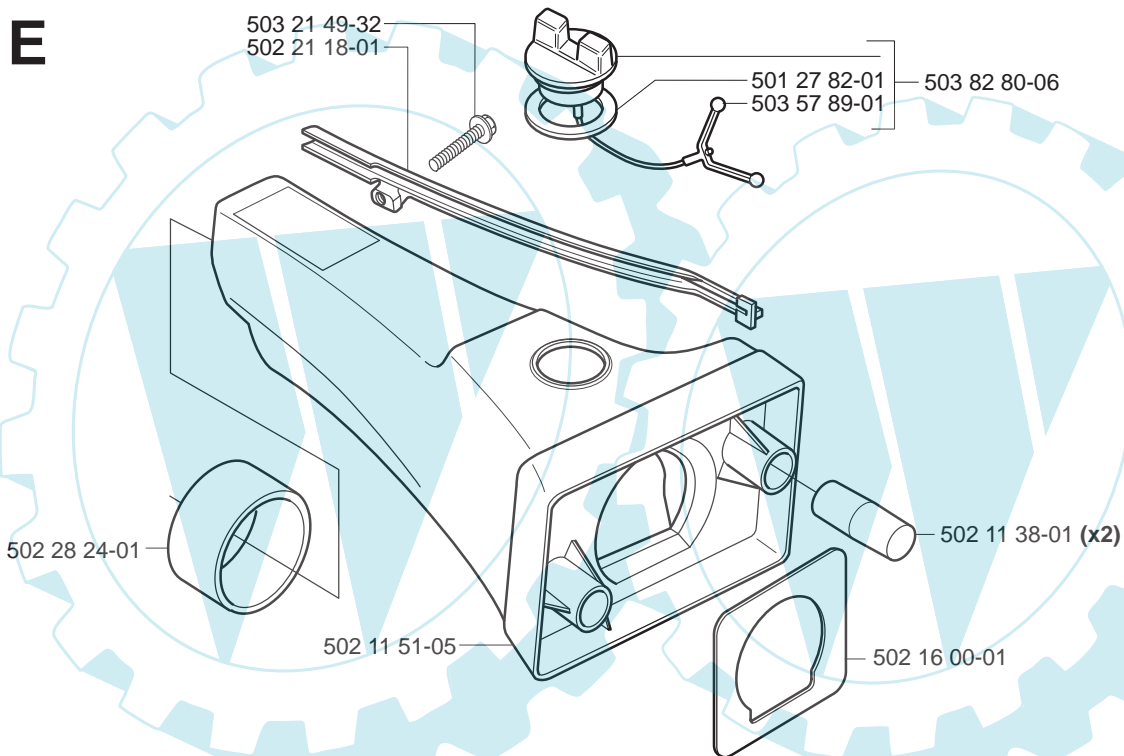
GR41/GR50



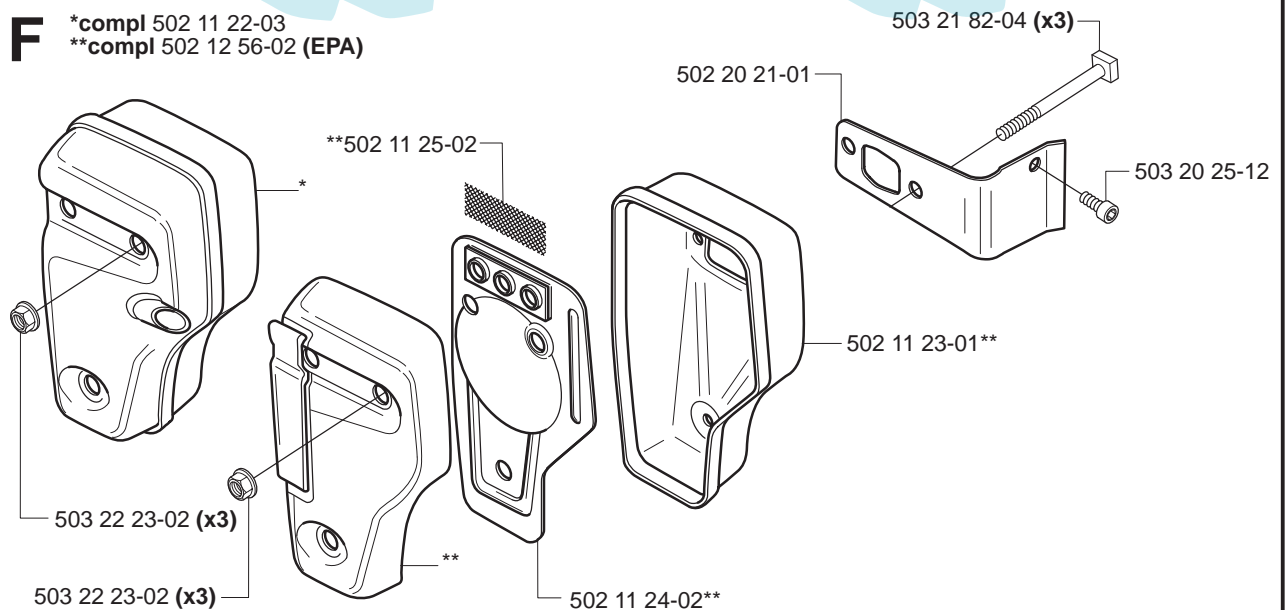
D

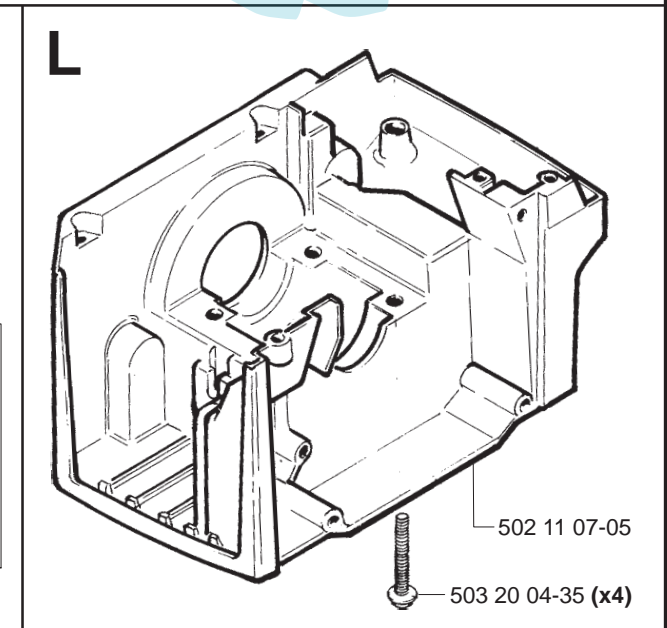
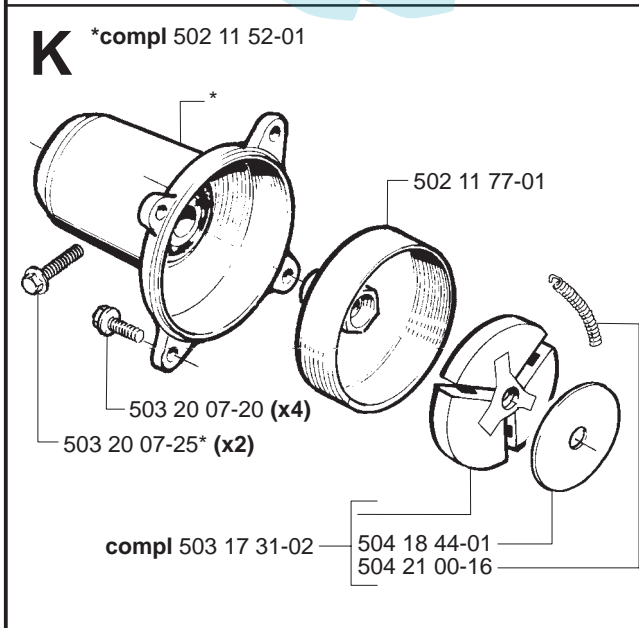
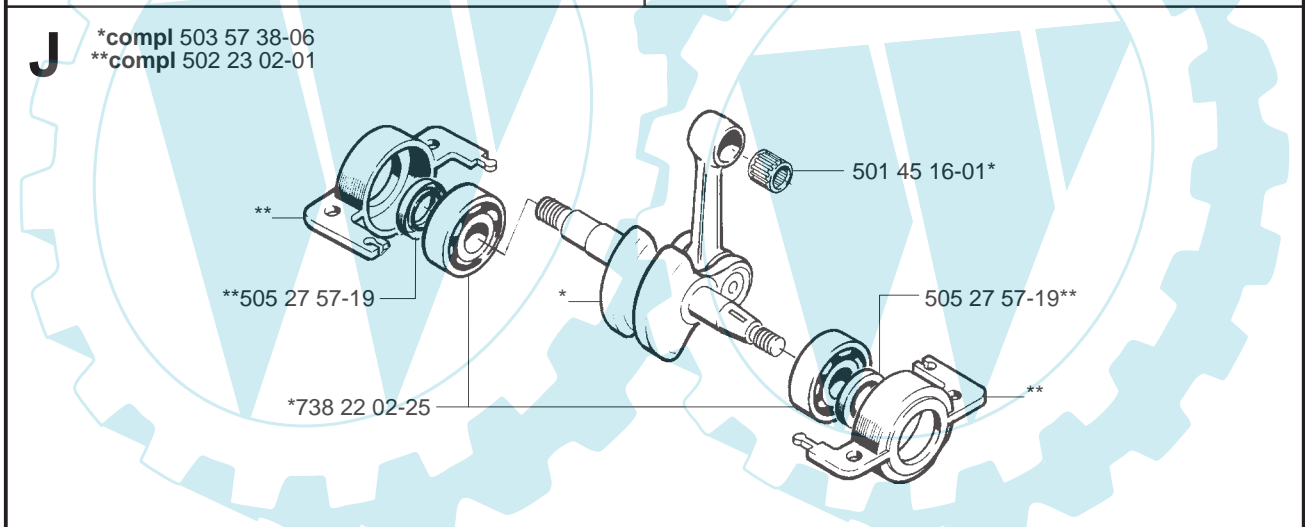
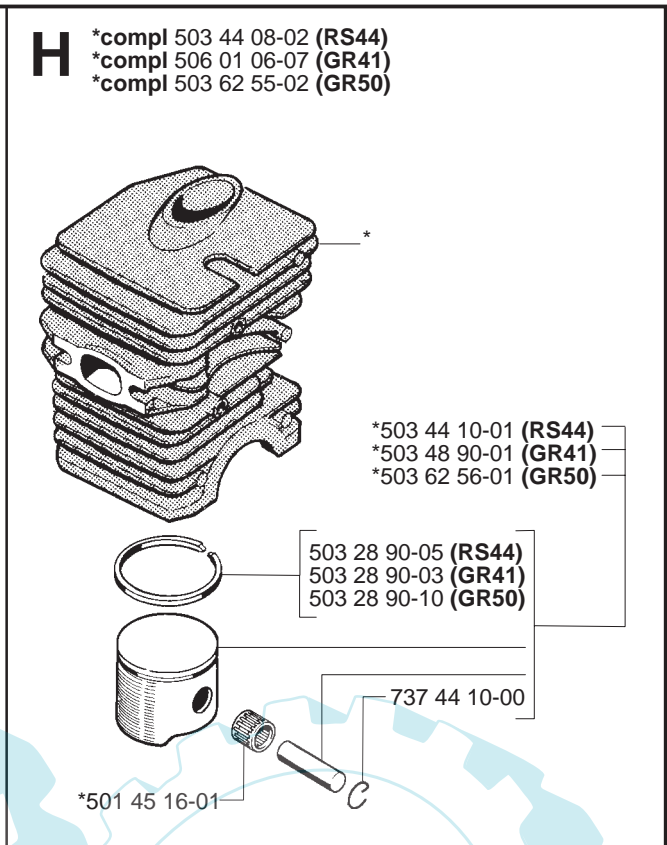
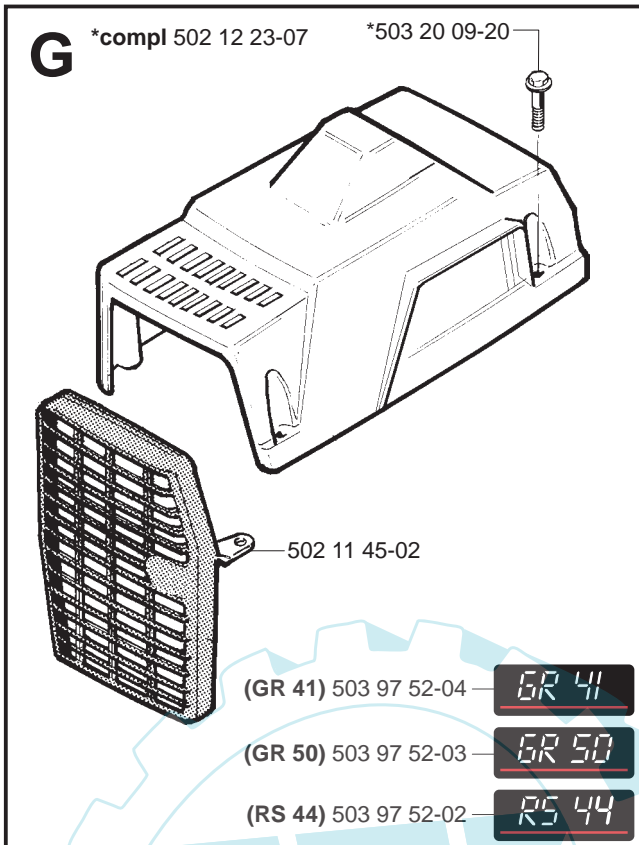


E

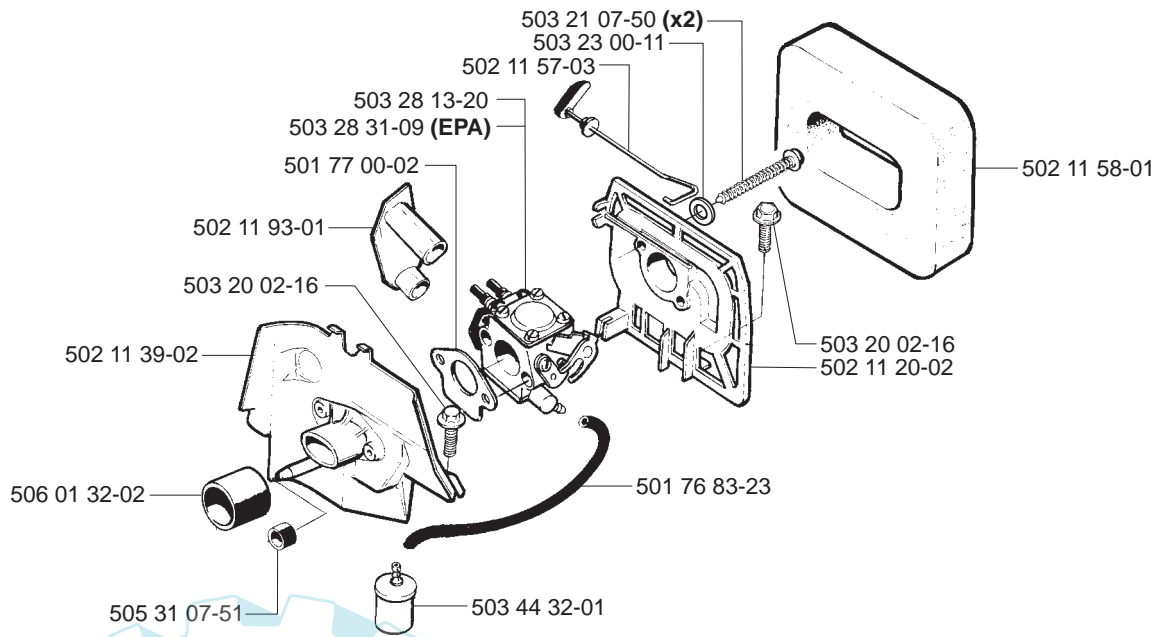


F



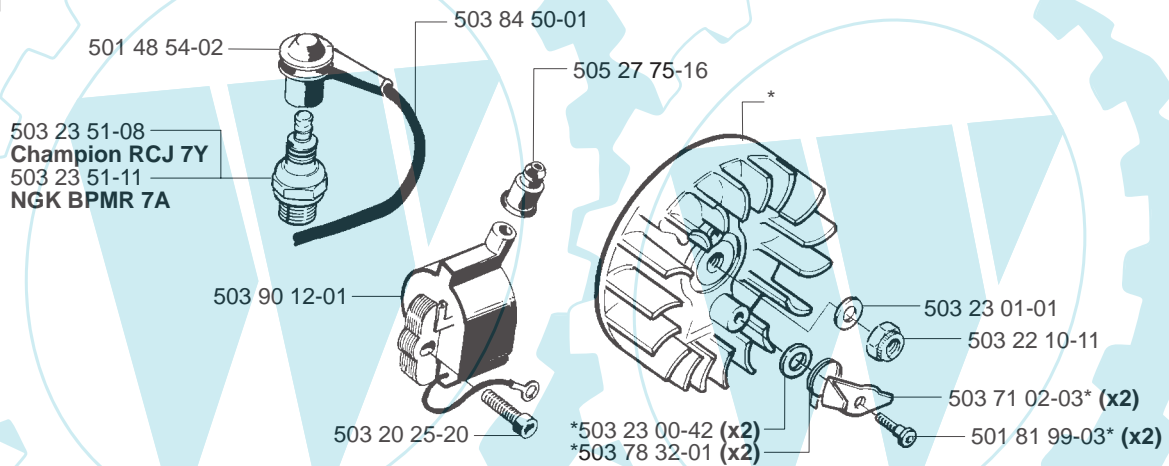


M



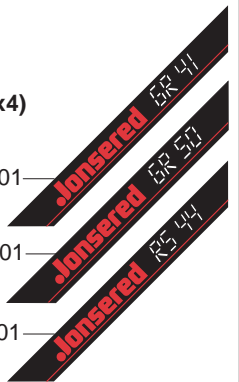
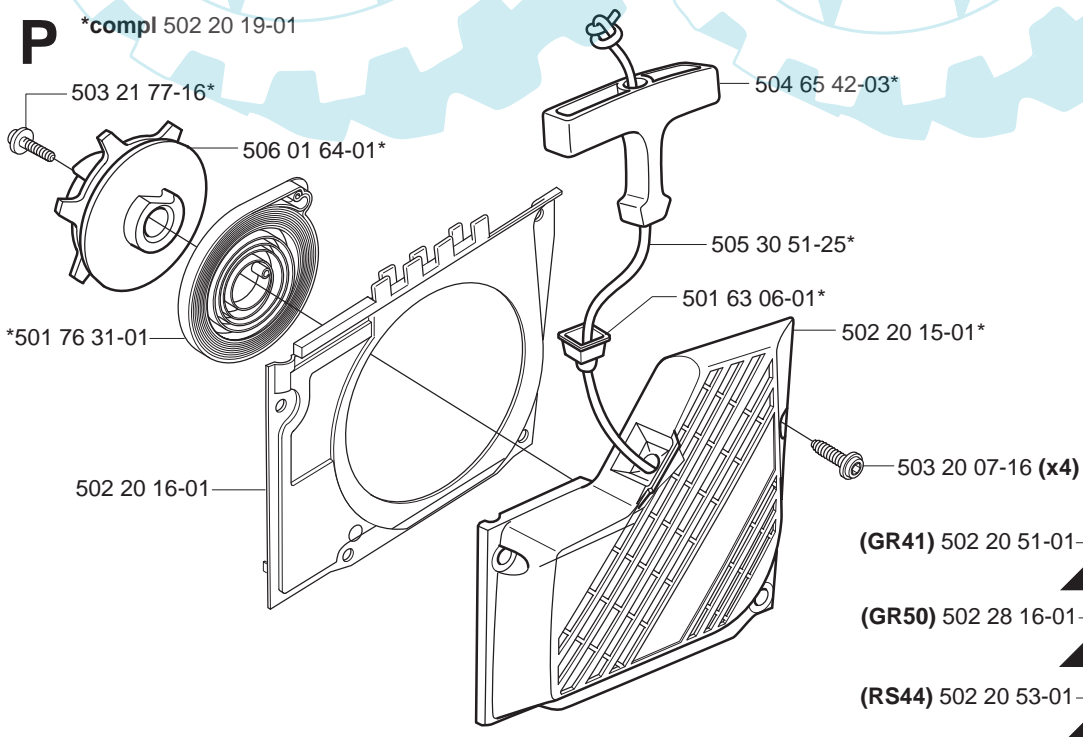
N

*compl 503 79 00-02



P

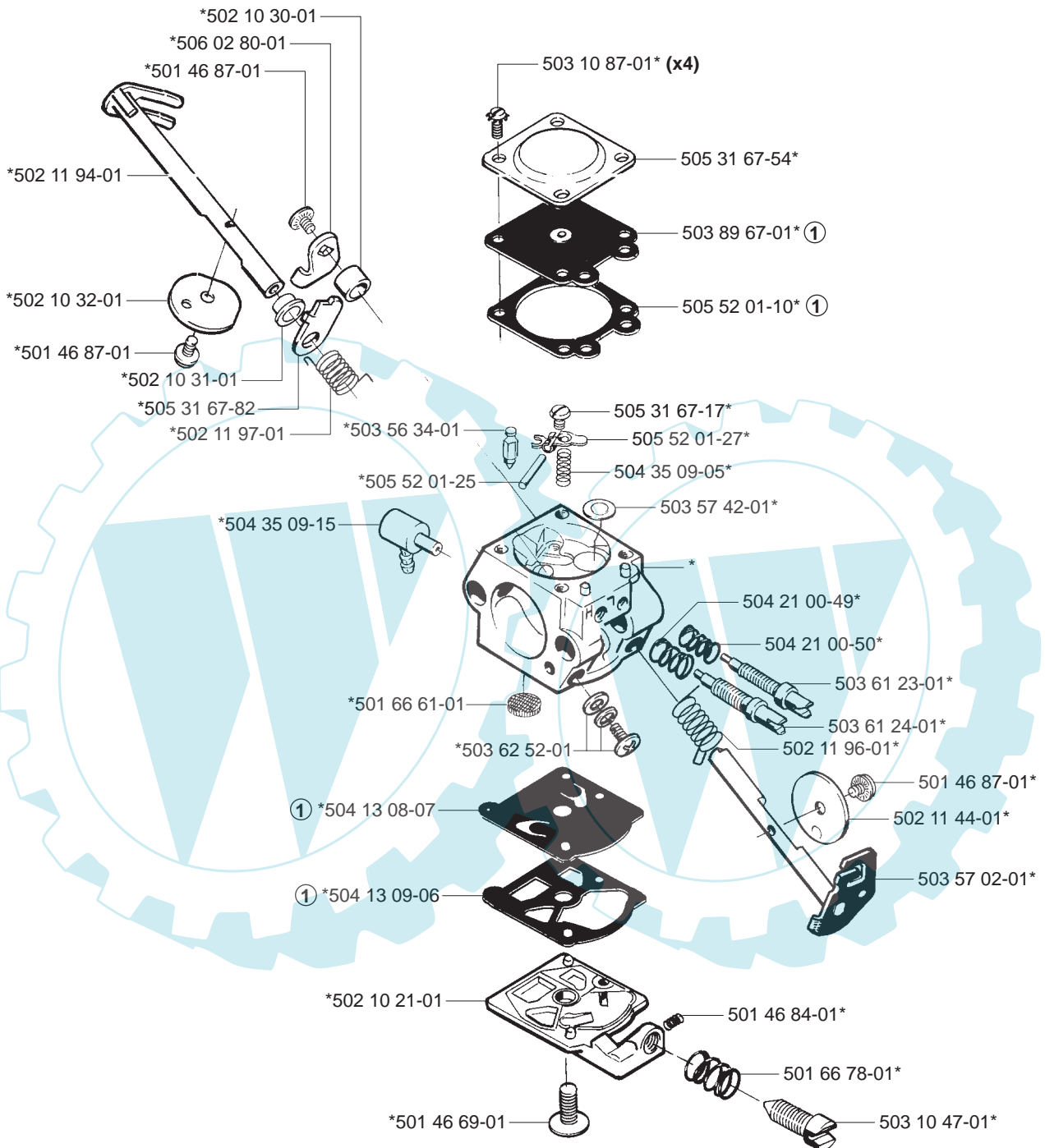
*compl 502 20 19-01



Q

* compl 503 28 13-20

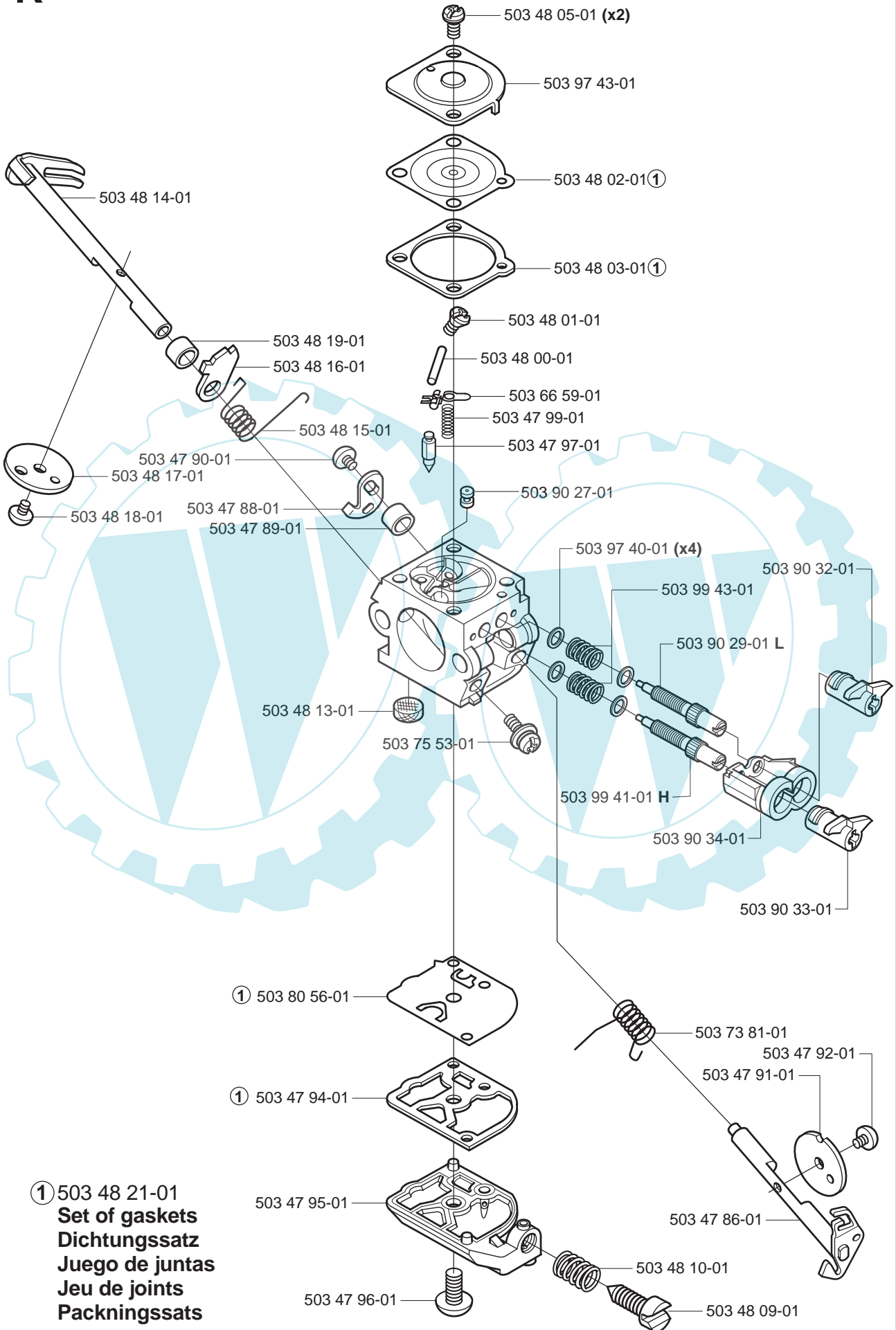
Walbro WT 99



- ① 502 10 35-01
Set of gaskets
Dichtungssatz
Juego de juntas
Jeu de joints
Packningssats

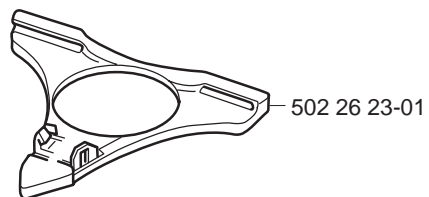
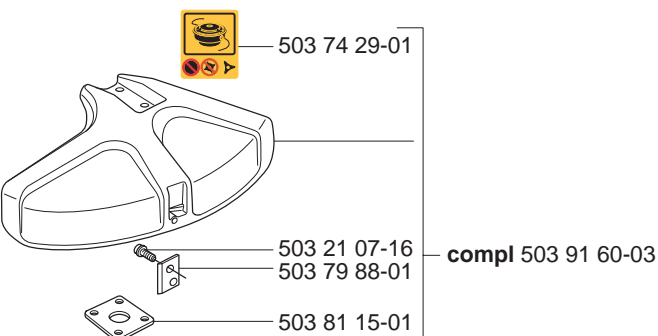
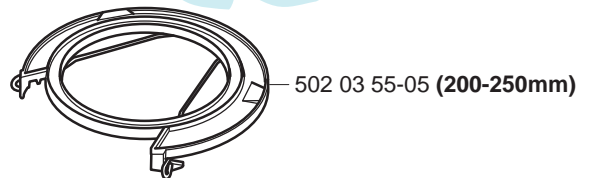
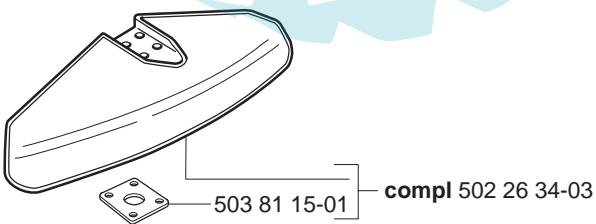
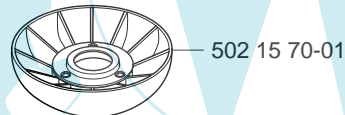
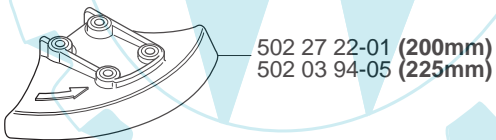
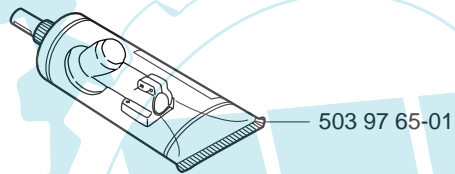
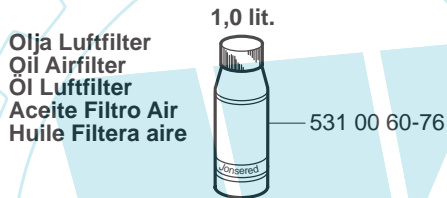
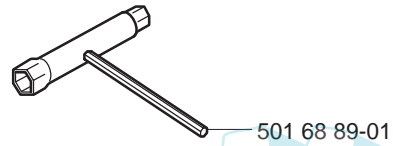
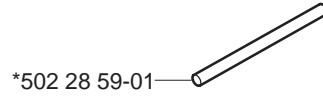
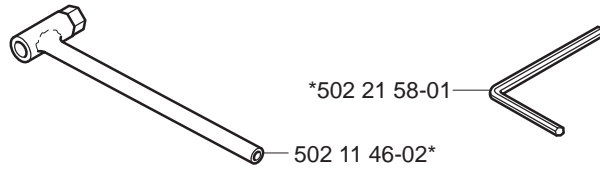
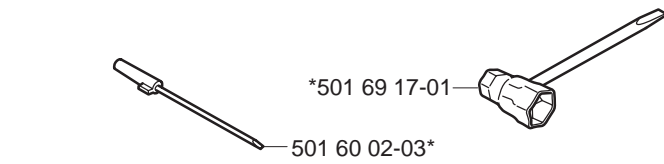
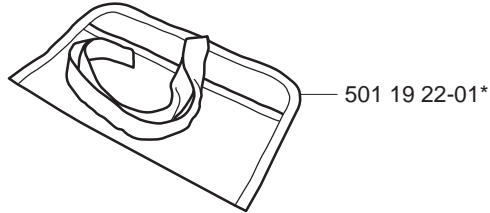
R compl 503 28 31-09

ZAMA C1Q - EL 10 (EPA)



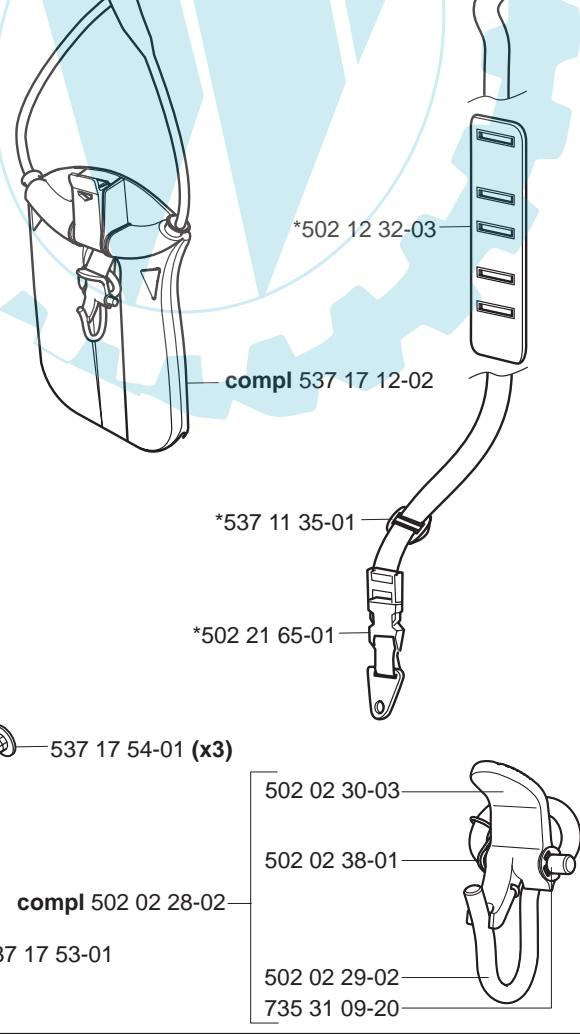
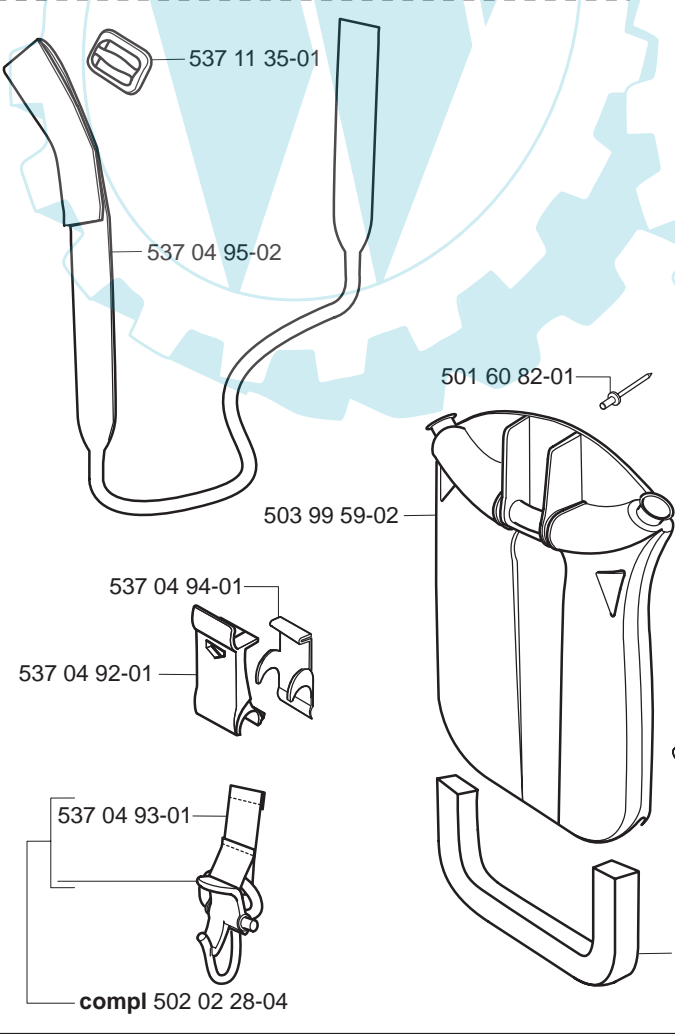
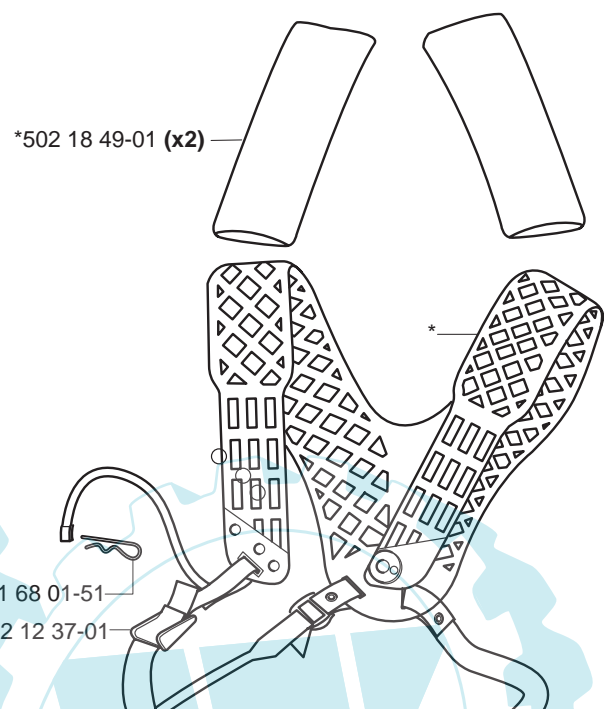
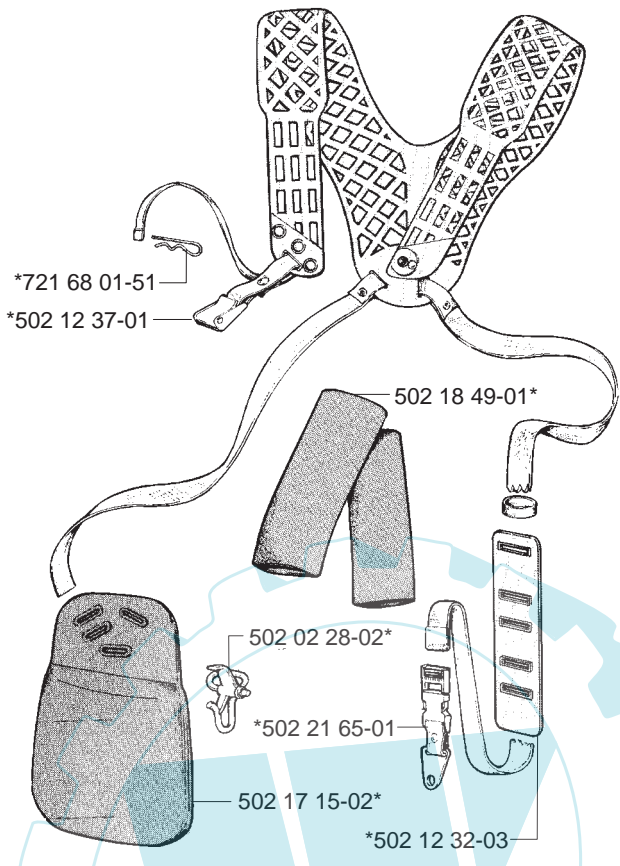
S Accessories
Zubehöre
Accessoires
Accesorios
Tillbehör

*compl 502 27 33-03



T *compl 502 12 36-03
*compl 502 12 36-05 USA

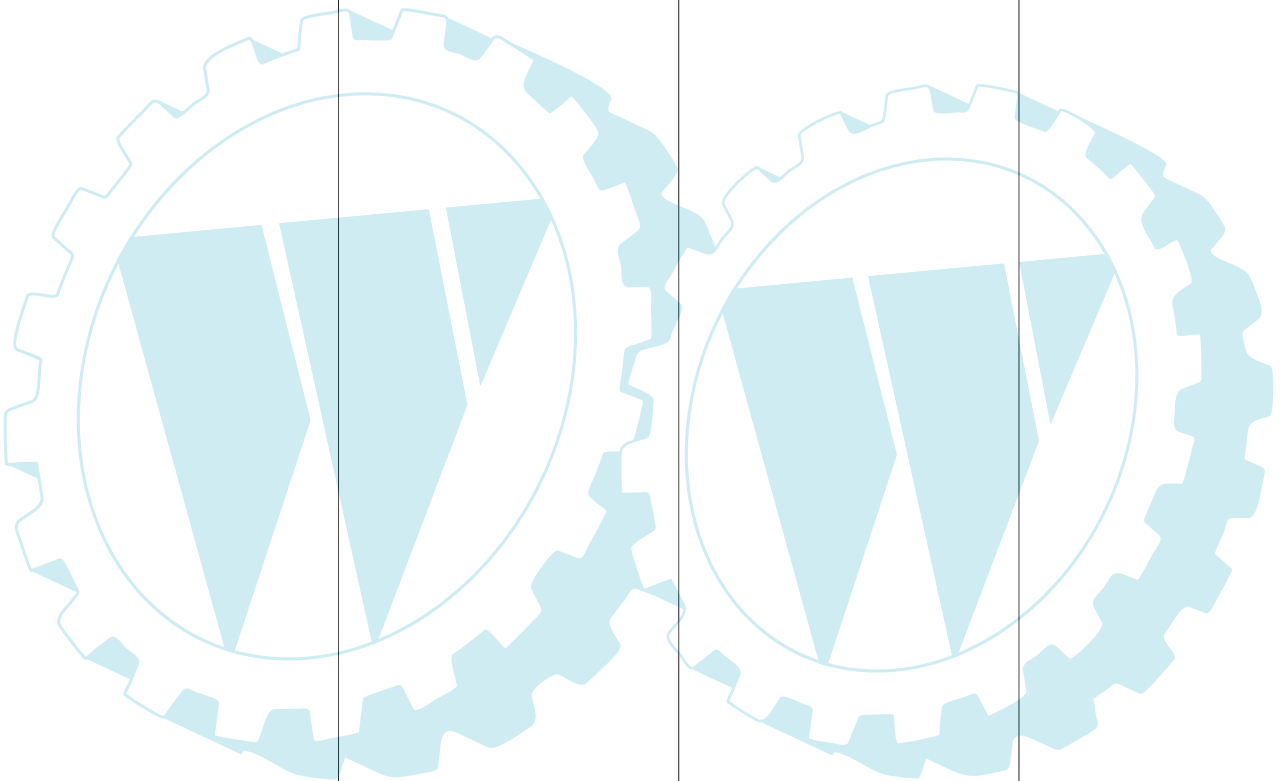
*compl 537 21 53-01
*compl 537 21 53-02 USA



| PART NUMBER | SQUARE NOTE | PART NUMBER | SQUARE NOTE | PART NUMBER | SQUARE NOTE | PART NUMBER | SQUARE NOTE |
|--------------|-------------|--------------|-------------|--------------|-------------|--------------|-------------|
| 501 19 22-01 | S | 502 17 15-02 | T | 503 20 07-45 | D N | 503 75 53-01 | R |
| 501 27 82-01 | E | 502 17 50-06 | B | 503 20 09-20 | G | 503 78 32-01 | N |
| 501 45 16-01 | HJ | 502 18 49-01 | T | 503 20 25-12 | F | 503 79 00-02 | N |
| 501 46 69-01 | Q | 502 19 71-01 | D | 503 20 25-20 | N | 503 79 41-01 | C |
| 501 46 84-01 | Q | 502 19 92-03 | C | 503 21 07-16 | S | 503 79 88-01 | S |
| 501 46 87-01 | Q | 502 19 94-03 | C | 503 21 07-50 | M | 503 80 56-01 | R |
| 501 48 54-02 | N | 502 20 15-01 | P | 503 21 49-32 | E N | 503 81 15-01 | S N |
| 501 60 02-03 | S | 502 20 16-01 | P | 503 21 67-22 | BC N | 503 82 80-06 | E |
| 501 60 82-01 | T N | 502 20 19-01 | P | 503 21 77-16 | P | 503 84 50-01 | N |
| 501 63 06-01 | P | 502 20 21-01 | F | 503 21 82-04 | F | 503 89 67-01 | Q |
| 501 66 61-01 | Q | 502 20 38-01 | C | 503 22 10-11 | N | 503 90 12-01 | N |
| 501 66 78-01 | Q | 502 20 51-01 | P | 503 22 10-12 | D | 503 90 18-01 | S |
| 501 68 89-01 | S | 502 20 53-01 | P | 503 22 23-02 | F | 503 90 27-01 | R |
| 501 69 17-01 | S | 502 20 85-07 | C | 503 22 65-04 | BC | 503 90 29-01 | R |
| 501 76 31-01 | P | 502 20 86-08 | C | 503 23 00-11 | BM | 503 90 32-01 | R |
| 501 76 83-23 | M | 502 21 12-01 | C | 503 23 00-42 | N | 503 90 33-01 | R |
| 501 77 00-02 | M | 502 21 18-01 | E | 503 23 00-62 | D | 503 90 34-01 | R |
| 501 81 99-03 | N | 502 21 58-01 | S | 503 23 01-01 | N | 503 91 60-03 | S |
| 502 02 28-02 | T | 502 21 65-01 | T | 503 23 51-08 | N | 503 97 40-01 | R |
| 502 02 28-04 | T N | 502 22 15-02 | D | 503 23 51-11 | N | 503 97 43-01 | R |
| 502 02 29-02 | T | 502 22 16-02 | D | 503 28 13-20 | MQ | 503 97 52-02 | G |
| 502 02 30-03 | T | 502 22 23-01 | A | 503 28 31-09 | MR | 503 97 52-03 | G |
| 502 02 38-01 | T | 502 22 26-01 | A | 503 28 90-03 | H | 503 97 52-04 | G |
| 502 03 10-03 | A | 502 22 38-01 | B | 503 28 90-05 | H | 503 97 65-01 | S |
| 502 03 55-05 | S | 502 22 53-01 | D | 503 28 90-10 | H | 503 99 41-01 | R |
| 502 03 94-05 | S | 502 22 67-01 | A | 503 44 08-02 | H | 503 99 43-01 | R |
| 502 04 55-01 | A | 502 22 68-01 | A | 503 44 10-01 | H | 503 99 59-02 | T N |
| 502 06 28-01 | B | 502 23 02-01 | J | 503 44 32-01 | M | 503 99 75-01 | D |
| 502 10 21-01 | Q | 502 26 23-01 | S | 503 47 86-01 | R | 503 99 76-01 | D |
| 502 10 30-01 | Q | 502 26 34-03 | S | 503 47 88-01 | R | 504 13 08-07 | Q |
| 502 10 31-01 | Q | 502 26 89-01 | A | 503 47 89-01 | R | 504 13 09-06 | Q |
| 502 10 32-01 | Q | 502 26 93-01 | A | 503 47 90-01 | R | 504 18 44-01 | K |
| 502 10 35-01 | Q | 502 26 95-01 | A | 503 47 91-01 | R | 504 21 00-16 | K |
| 502 11 07-05 | L | 502 27 22-01 | S | 503 47 92-01 | R | 504 21 00-49 | Q |
| 502 11 20-02 | M | 502 27 25-01 | A | 503 47 94-01 | R | 504 21 00-50 | Q |
| 502 11 22-03 | F | 502 27 28-01 | A | 503 47 95-01 | R | 504 35 09-05 | Q |
| 502 11 23-01 | F | 502 27 33-03 | S | 503 47 96-01 | R | 504 65 42-03 | P |
| 502 11 24-02 | F | 502 27 63-02 | C | 503 47 97-01 | R | 505 27 57-19 | J |
| 502 11 25-02 | F | 502 27 64-02 | C | 503 47 99-01 | R | 505 27 75-16 | N |
| 502 11 38-01 | E | 502 27 92-01 | C | 503 48 00-01 | R | 505 30 51-25 | P |
| 502 11 39-02 | M | 502 27 92-03 | B | 503 48 01-01 | R | 505 31 07-51 | M |
| 502 11 44-01 | Q | 502 27 93-01 | C | 503 48 02-01 | R | 505 31 67-17 | Q |
| 502 11 45-02 | G | 502 28 06-15 | C | 503 48 03-01 | R | 505 31 67-54 | Q |
| 502 11 46-02 | S | 502 28 16-01 | P | 503 48 05-01 | R | 505 31 67-82 | Q |
| 502 11 51-05 | E | 502 28 21-01 | C | 503 48 09-01 | R | 505 52 01-10 | Q |
| 502 11 52-01 | K | 502 28 24-01 | E | 503 48 10-01 | R | 505 52 01-25 | Q |
| 502 11 57-03 | M | 502 28 26-01 | C | 503 48 13-01 | R | 505 52 01-27 | Q |
| 502 11 58-01 | M | 502 28 33-04 | B | 503 48 14-01 | R | 506 01 06-07 | H |
| 502 11 59-02 | A | 502 28 34-02 | B | 503 48 15-01 | R | 506 01 32-02 | M |
| 502 11 77-01 | K | 502 28 35-03 | B | 503 48 16-01 | R | 506 01 64-01 | P |
| 502 11 79-03 | C | 502 28 36-04 | B | 503 48 17-01 | R | 506 02 80-01 | Q |
| 502 11 93-01 | M | 502 28 37-06 | B | 503 48 18-01 | R | 531 00 60-76 | S |
| 502 11 94-01 | Q | 502 28 44-01 | B | 503 48 19-01 | R | 537 00 76-01 | D |
| 502 11 96-01 | Q | 502 28 55-01 | A | 503 48 21-01 | R | 537 01 40-01 | A |
| 502 11 97-01 | Q | 502 28 56-01 | A | 503 48 90-01 | H | 537 01 40-02 | A |
| 502 12 02-03 | A | 502 28 57-02 | A | 503 56 34-01 | Q | 537 02 76-02 | A |
| 502 12 02-05 | A | 502 28 59-01 | S | 503 57 02-01 | Q | 537 04 92-01 | T N |
| 502 12 23-07 | G | 502 28 60-08 | B | 503 57 38-06 | J | 537 04 93-01 | T N |
| 502 12 32-03 | T | 502 28 62-01 | A | 503 57 42-01 | Q | 537 04 94-01 | T N |
| 502 12 36-03 | T | 503 10 47-01 | Q | 503 57 89-01 | E | 537 04 95-02 | T N |
| 502 12 36-05 | T | 503 10 87-01 | Q | 503 61 23-01 | Q | 537 06 71-01 | B |
| 502 12 37-01 | T | 503 17 31-02 | K | 503 61 24-01 | Q | 537 06 72-01 | B |
| 502 12 56-02 | F | 503 20 02-16 | M | 503 62 52-01 | Q | 537 11 35-01 | T |
| 502 14 43-06 | B | 503 20 03-16 | A N | 503 62 55-02 | H | 537 17 12-02 | T N |
| 502 14 44-01 | B | 503 20 04-35 | L | 503 62 56-01 | H | 537 17 53-01 | T N |
| 502 14 47-03 | B | 503 20 07-16 | AP N | 503 66 59-01 | R | 537 17 54-01 | T N |
| 502 14 50-05 | B | 503 20 07-20 | K N | 503 71 02-03 | N | 537 21 53-01 | T N |
| 502 14 51-01 | BC | 503 20 07-25 | CK N | 503 71 82-01 | C | 537 21 53-02 | T N |
| 502 15 70-01 | S | 503 20 07-30 | A N | 503 73 81-01 | R | 720 12 12-20 | B |
| 502 16 00-01 | E | 503 20 07-35 | BCD N | 503 74 29-01 | S | 721 68 01-51 | T |

N = New part
 Neues teil
 Nouvelle piece
 Nueva pieza
 Ny detalj

| PART NUMBER | SQUARE NOTE | PART NUMBER | SQUARE NOTE | PART NUMBER | SQUARE NOTE | PART NUMBER | SQUARE NOTE |
|--------------|-------------|-------------|-------------|-------------|-------------|-------------|-------------|
| 721 68 01-51 | T | | | | | | |
| 725 23 82-88 | C | | | | | | |
| 729 52 52-75 | B | | | | | | |
| 735 31 09-20 | T | | | | | | |
| 735 31 17-00 | A | | | | | | |
| 737 44 10-00 | H | | | | | | |
| 738 21 02-00 | A | | | | | | |
| 738 21 02-04 | A | | | | | | |
| 738 22 02-25 | J | | | | | | |
| 738 22 03-25 | A | | | | | | |
| 740 42 21-00 | A | | | | | | |
| 740 42 24-00 | A | | | | | | |
| 740 44 08-00 | A | | | | | | |
| 740 51 13-01 | A | | | | | | |



N = New part
 Neues teil
 Nouvelle piece
 Nueva pieza
 Ny detalj